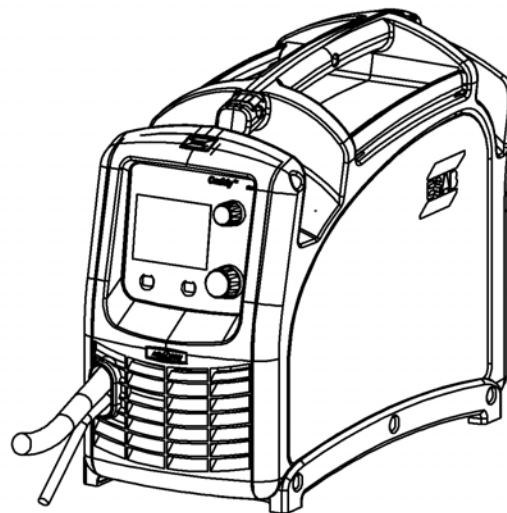
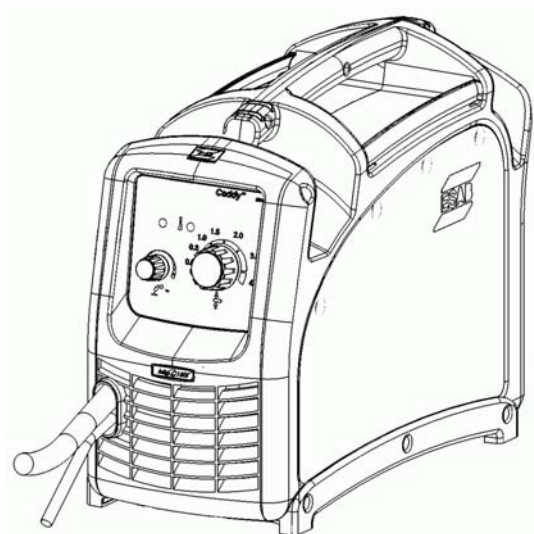


Spare parts list

Edition 20120604



Ordering no.	Product	Notes	Serial no
0349 310 850	Caddy® Mig C160i, CE (Europe)	230 V, 1~ 50/60 Hz	924-xxx-xxxx
0349 312 280	Caddy® Mig C160i, US (North America)	230 V, 1~ 50/60 Hz	025-xxx-xxxx
0349 312 750	Caddy® Mig C160i, CA (Canada)	230 V, 1~ 50/60 Hz	025-xxx-xxxx
0349 313 030	Caddy® Mig C160i, SA (South America)	230 V, 1~ 50/60 Hz	111-xxx-xxxx
0349 312 030	Caddy® Mig C200i, CE	230 V, 1~ 50/60 Hz	932-xxx-xxxx
0349 312 290	Caddy® Mig C200i, US	230 V, 1~ 50/60 Hz	026-xxx-xxxx
0349 312 680	Caddy® Mig C200i, CA	230 V, 1~ 50/60 Hz	026-xxx-xxxx
0349 313 040	Caddy® Mig C200i, AU	230 V, 1~ 50/60 Hz	111-xxx-xxxx

Spare parts are to be ordered through the nearest ESAB agency. Kindly indicate type of unit, serial number, denominations and ordering numbers according to the spare parts list.

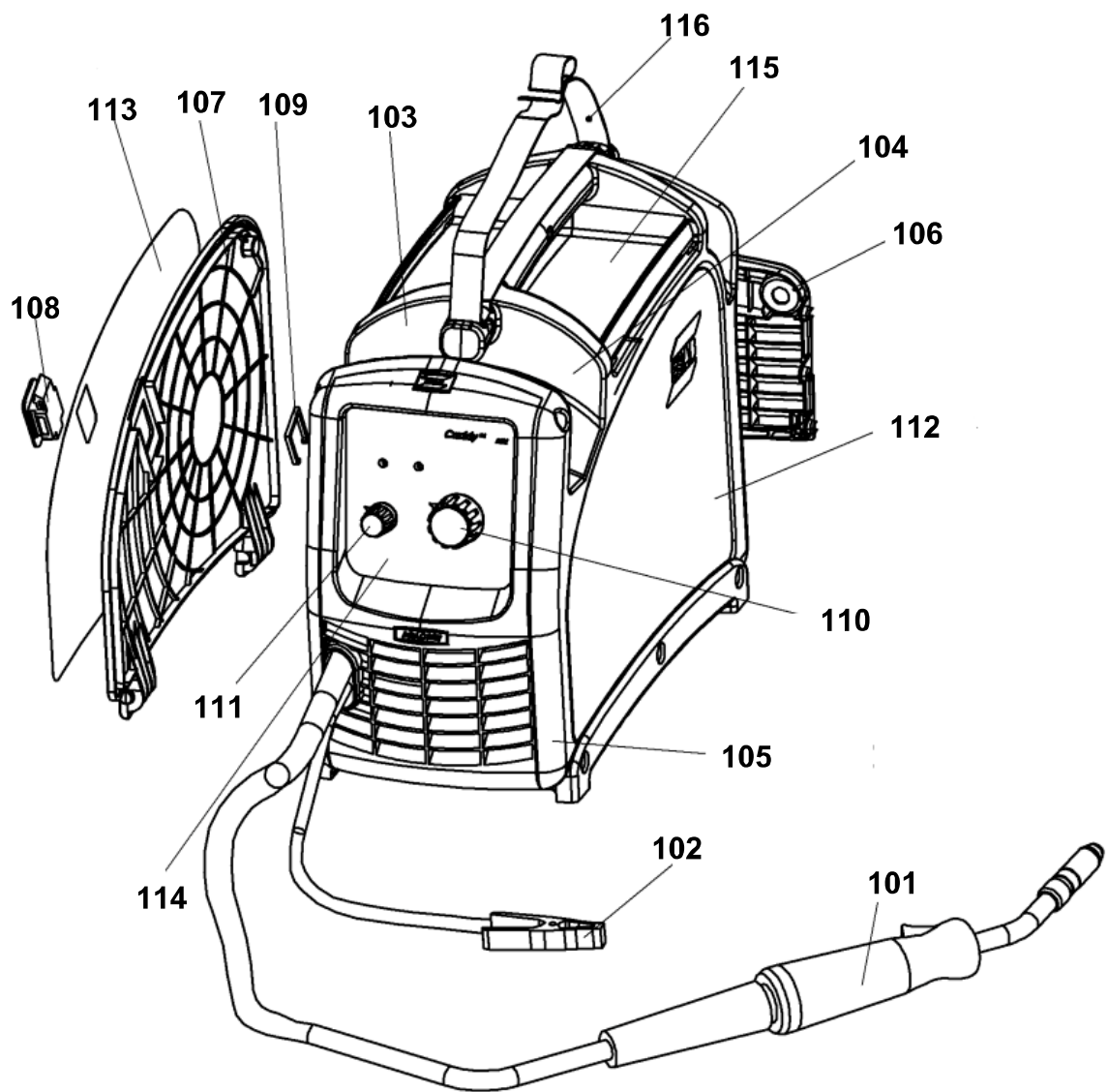
Maintenance and repair work should be performed by an experienced person, and electrical work only by a trained electrician. Use only recommended spare parts.

Rights reserved to alter specifications without notice.

Caddy® Mig C160i, Caddy® Mig C200i

Item	Qty C160i	Qty C200i	Ordering no.	Denomination	Notes
101	1	1	0349 483 070	Torch	MXL 180, 3m fixed
102	1	1	0349 490 035	Return cable	
103	1	1	0349 311 912	Intermediate plate	
104	1	1	0349 311 914	Side panel right	
105	1	-	0349 311 911	Front panel	
	-	1	0349 312 095	Front panel	
106	1	1	0349 311 915	Grill	
107	1	1	0349 311 913	Side panel left	
108	1	1	0349 312 092	Lock	
109	1	1	0369 561 002	Clamp	
110	1	-	0349 311 334	Knob	
	-	1	0460 600 521	Knob	
111	1	-	0349 311 366	Knob	
	-	1	0460 600 528	Knob	
112	1	1	0349 312 069	Label	
113	1	1	0349 312 068	Label	
114	1	-	0349 312 058	MMC label	
	-	1	0349 312 117	MMC label	
115	1	1	0349 312 184	Rubber	
116	1	1	0349 312 055	Shoulder strap	

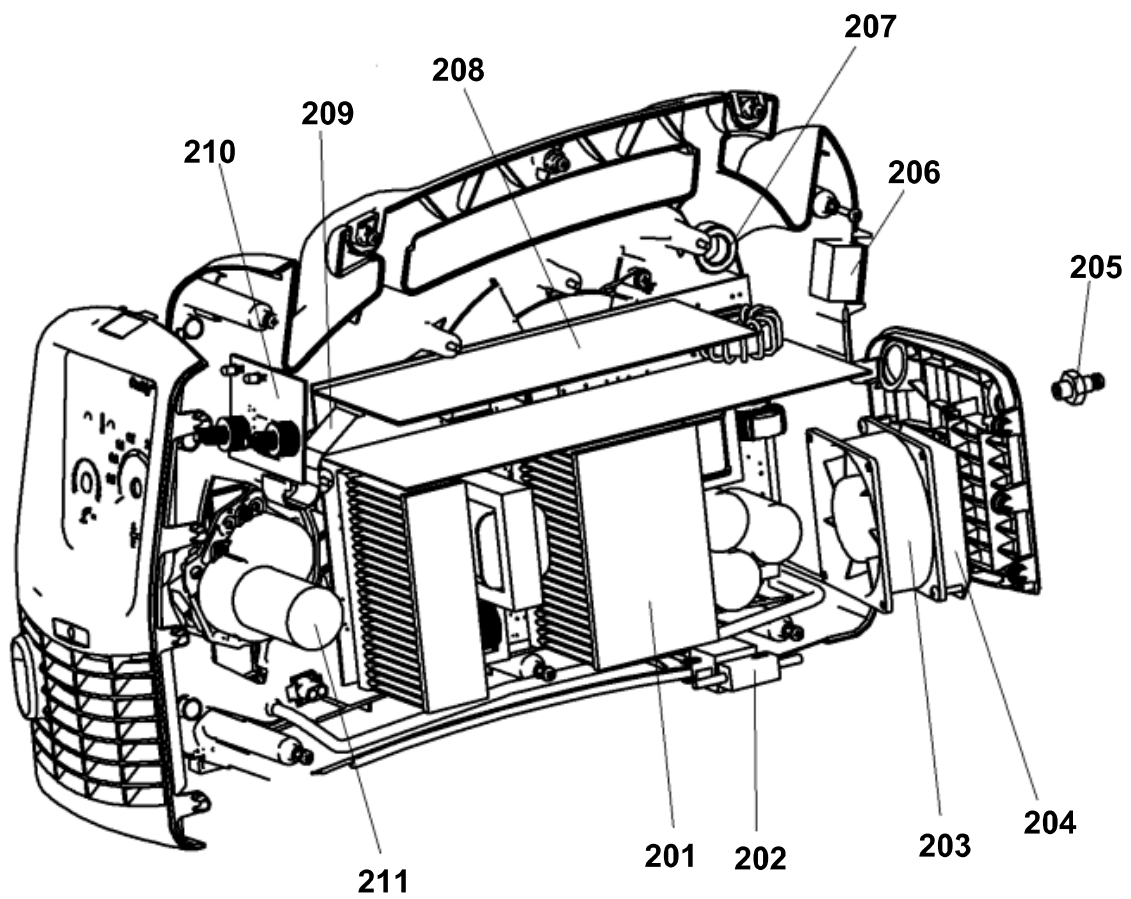
Caddy® Mig C160i, Caddy® Mig C200i



Caddy® Mig C160i, Caddy® Mig C200i

C = component designation in the circuit diagram

Item	Qty C160i				Qty C200i				Ordering no.	Denomination	Notes	C
	CE	US	CA	SA	CE	US	CA	AU				
201	1	1	1	1	-	-	-	-	0349 312 555	Power PCB		
	-	-	-	-	1	1	1	1	0349 312 349	Power PCB		
202	1	1	1	1	1	1	1	1	0349 312 029	Gas valve		
203	1	1	1	1	1	1	1	1	0349 310 833	Fan		
204	1	1	1	1	1	1	1	1	0349 312 050	Shielding net		
205	1	1	1	1	1	1	1	1	0349 312 159	Coupler		
206	1	1	1	1	1	1	1	1	0349 312 097	Switch		
207	1	-	-	1	1	-	-	1	0349 312 063	Core		
208	1	1	1	1	1	1	1	1	0487 849 880	Control PCB		
209	1	1	1	1	1	1	1	1	0349 312 098	Ribbon cable with connectors		
210	1	1	1	1	-	-	-	-	0349 483 308	MMC PCB		
	-	-	-	-	1	1	1	1	0349 312 357	MMC PCB		
211	1	1	1	1	1	1	1	1	0349 312 057	Motor		

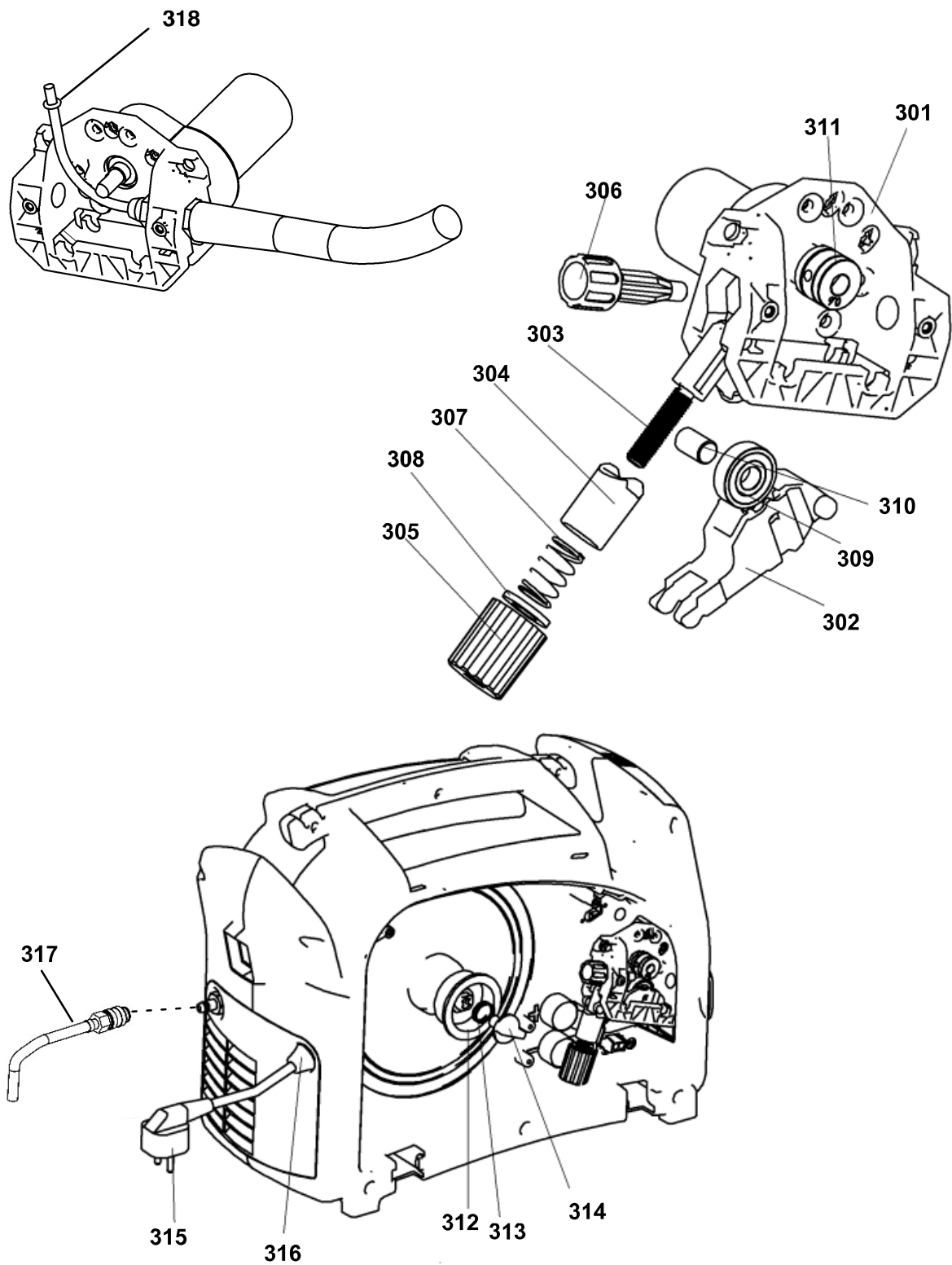


Caddy® Mig C160i, Caddy® Mig C200i
(W) = wear part

Item	Qty C160i				Qty C200i				Ordering no.	Denomination	Notes
	CE	US	CA	SA	CE	US	CA	AU			
301	1	1	1	1	1	1	1	1	0349 311 801	Gear housing	
302	1	1	1	1	1	1	1	1	0349 311 802	Pressure arm	
303	1	1	1	1	1	1	1	1	0349 311 803	Push arm	
304	1	1	1	1	1	1	1	1	0349 311 805	Pressure sleeve	
305	1	1	1	1	1	1	1	1	0349 311 804	Adjusting knob	
306	1	1	1	1	1	1	1	1	(W)	Inlet nozzle	
307	1	1	1	1	1	1	1	1	0349 312 064	Spring	
308	1	1	1	1	1	1	1	1	-	Washer Ø 10,4,	
309	1	1	1	1	1	1	1	1	(W)	Pressure roller	
310	1	1	1	1	1	1	1	1	0349 312 052	Bearing axle	
311	1	1	1	1	1	1	1	1	(W)	Feed roller	
312	1	1	1	1	1	1	1	1	0349 312 047	Bobbin clamp	
313	1	1	1	1	1	1	1	1	0349 312 049	Spring	
314	1	1	1	1	1	1	1	1	0349 312 048	Clamp lock	
315	1	-	-	-	1	-	-	-	0349 483 317	Mains cable	Plug CEE 7/7 type E/F
	-	1	-	-	-	1	-	-	0349 312 641	Mains cable	Plug NEMA 6-50P
	-	-	1	-	-	-	1	-	0349 312 712	Mains cable	Plug NEMA 6-20P
	-	-	-	1	-	-	-	-	0349 312 947	Mains cable	No plug
	-	-	-	-	-	-	-	1	0349 312 948	Mains cable	Plug AS/NZS 3112 type 15A 3 flat Pins
316	1	1	1	1	1	1	1	1	0349 312 111	Bushing	
317	1	-	-	1	1	-	-	1	0349 312 105	Gas hose with connector	
	-	1	1	-	-	1	1	-	0349 312 644	Gas hose with connectors	
318									-	O-ring 3,5/ IDX 1,8 (3.5x1.8 mm)	Black nitrile rubber

For wear parts see page 10.

Caddy® Mig C160i, Caddy® Mig C200i



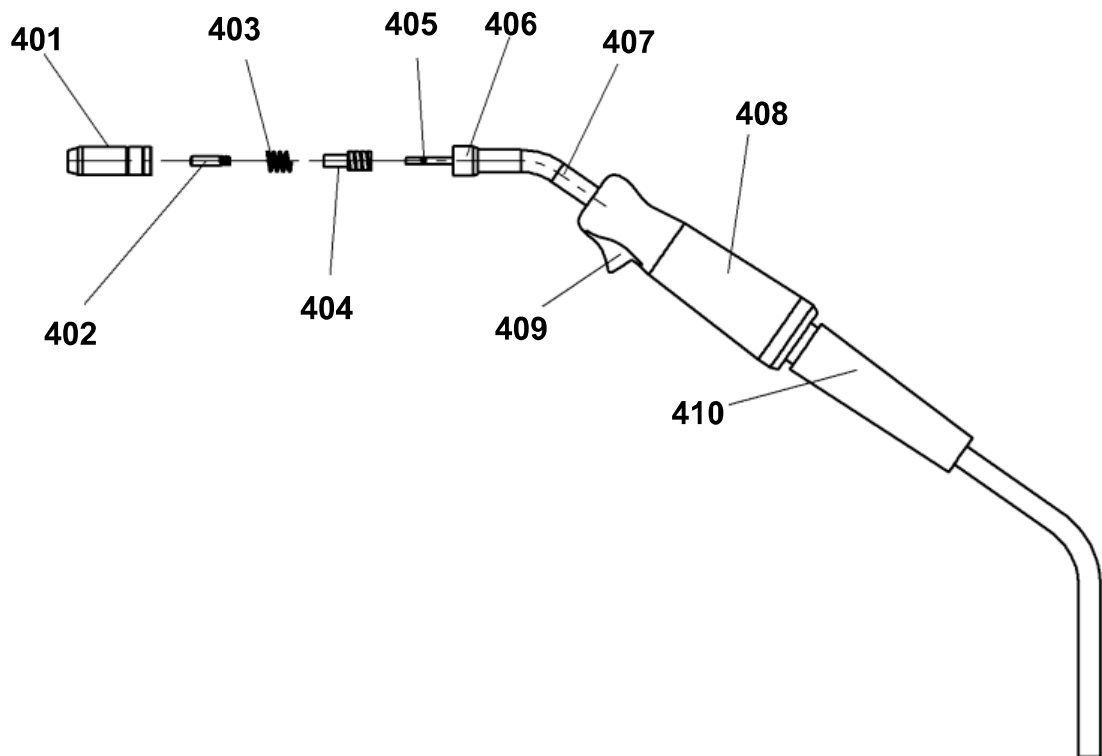
Caddy® Mig C160i, Caddy® Mig C200i

(W) = wear part

Item	Qty	Ordering no.	Denomination	Notes
401	1	(W)	Gas nozzle	W 0.6 M6x25
402	1	(W)	Contact tip	
403	1	(W)	Nozzle spring	
404	1	(W)	Tip adaptor	
405	1	(W)	Wire liner	
406	1	0700 200 096	Head insulator	
407	1	0349 483 074	Swan neck	
408	1	0349 483 073	Handle complete	
409	1	0349 483 071	Trigger assembly	
410	1	0349 483 072	Handle cable support	

For wear parts see page 10.

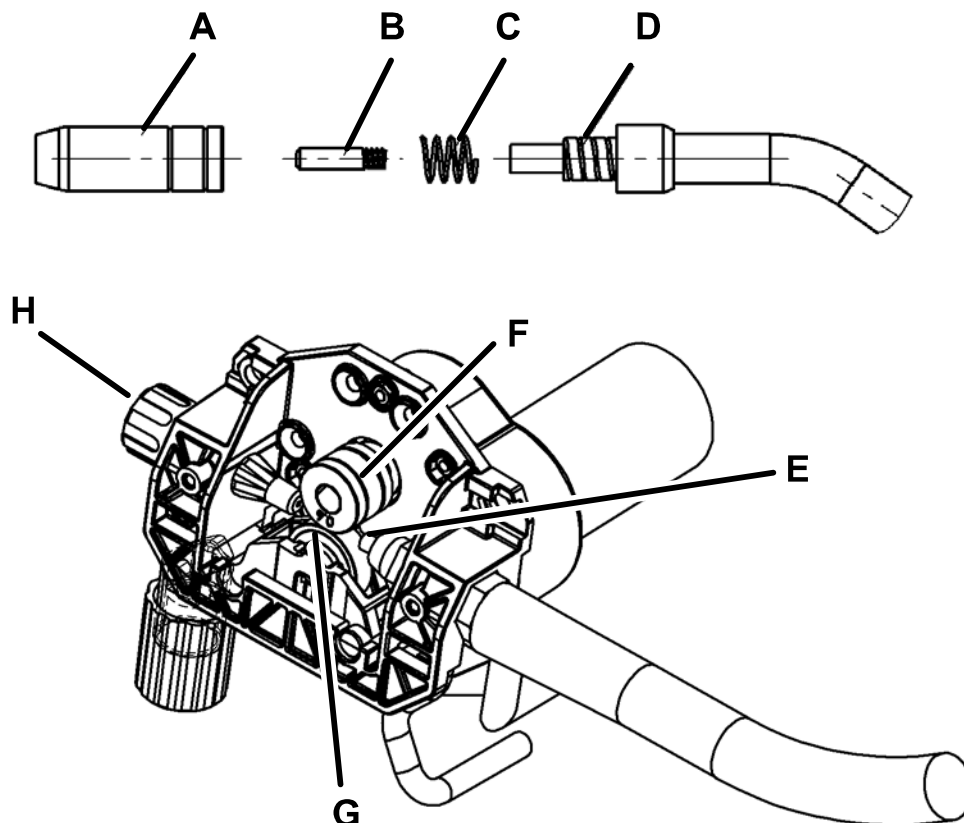
Caddy® Mig C160i, Caddy® Mig C200i



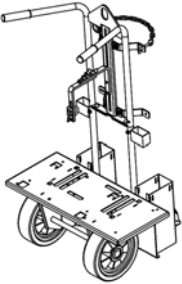
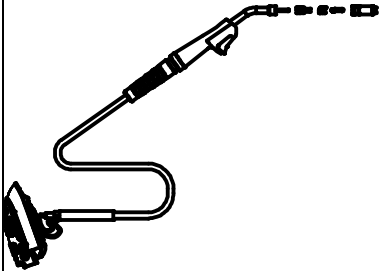
Wear parts

Item	Denomination	Ordering no.	Notes
A	Gas nozzle	0700 200 054	
	Gas nozzle/Tip insulator MXL	0700 200 105	
B	Contact tip	0700 200 063	w 0.6 M6x25
		0700 200 064	w 0.8 M6x25
		0700 200 065	w 0.9 M6x25
		0700 200 066	w 1.0 M6x25
C	Nozzle spring	0700 200 078	
D	Tip adaptor	0700 200 072	
E	Wire liner	0700 200 085	w 0.6-0.8 Steel for Fe and Ss wire
		0700 200 087	w 0.9-1.2 Steel for Fe and Ss wire
		0700 200 091	w 0.9-1.2 PTFE for Al and CuSi wire
F	Feed roller	0349 311 890	w 0.6-1.0 V-groove, Standard deliveries C160i/C200i
		0349 312 836	w 0.6-1.0 V-groove-1.0 U-groove, Option C200i w 0.6/0.8 V-groove and 1.0 Al U-groove
G	Pressure roller	0349 312 062	
H	Inlet nozzle	0455 049 002	w 0.6-1.0

The feed rollers are marked with wire dimension in mm and inch.



Accessories

 A technical line drawing of a trolley with a gas shelf. The trolley has two large wheels and a smaller front wheel. A vertical frame is attached to the back, supporting a horizontal shelf. A handle is visible at the top of the frame.	<p>Trolley with gas shelf 0459 366 887 (incl. fixing kit for machine)</p>
 A technical line drawing of a welding gun. It features a long, flexible handle with a trigger and a nozzle at the end. A cable is connected to the base of the handle.	<p>Welding gun MXL 180 0349 483 070 (incl. in Mig C200i)</p>

